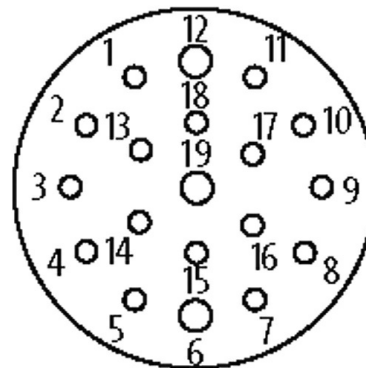


MSCON-D ROUND PLUG CONNECTOR M23

Female 90°
M23, 19-pole
Solder connection

[Link to Product](#)**Illustration**

Female



Product may differ from Image

Form

Form 23361

General data

Temperature range -25...+85 °C

Technical Data

Operating voltage max. 125 V AC/DC

Operating current per contact max. 8 A

Connection cross section max. 1 mm²

Sealing range (cable Ø) 8...14 mm

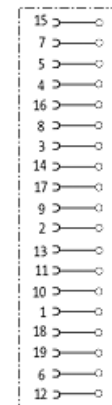
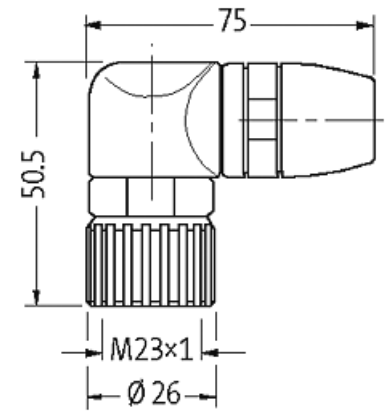
Connection Solder buckets

Protection IP67 inserted and tightened (EN 60529)

Commercial data

country of origin DE

customs tariff number	85366990
EAN	4048879187787
eClass	27279221
Packaging unit	1

Sketch

Product may differ from Image